

INOXMARE®

COUNTERSUNK CHIPBOARD SCREWS TX, PARTIAL THREAD



DATASHEET
ITEM 9135

FASTENERS | MARINE HARDWARE | FITTINGS | SOLAR

ITEM 9135

TECHNICAL SPECIFICATIONS

Pozi countersunk chipboard screws are mainly used in timber construction for non-structural connections. Fully threaded screws for fastening fittings and hinges.

To avoid problems during use, it is recommended to pre-drill appropriately.

Material	stainless steel
Quality	A2/A4
Thread type	wood thread
Surface	clean and bright
Hexalobular internal drive	ISO 10664

YOUR ADVANTAGES



TX-DRIVE = FASTER SCREWING

- › Improved torque transmission
- › Optimal centering
- › Minimises drive and bit wear



UNIVERSALLY APPLICABLE



DOUBLE HEAD

- › greater tightness

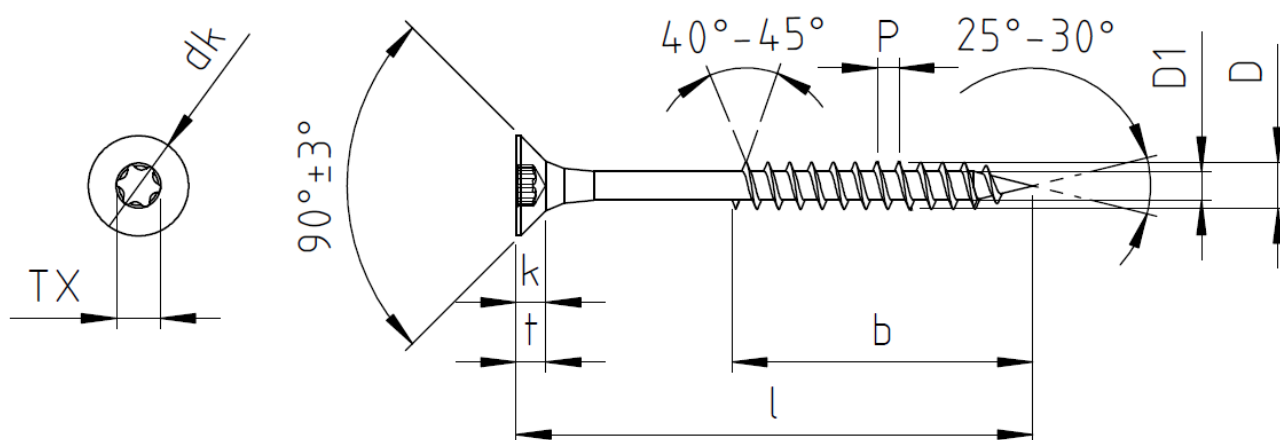
PRACTICES




WOOD AND FURNITURE CONSTRUCTIONS

FASTENERS | MARINE HARDWARE | FITTINGS | SOLAR

DIMENSIONS (MM)



Thread D	3 ±0,25	3,5 ±0,30	4 ±0,30	4,5 ±0,30	5 ±0,30	6 ±0,30	8 ±0,30
k	1,60 – 1,90	1,80 – 2,10	2,10 – 2,50	2,30 – 2,70	2,60 – 3,00	3,10 – 3,60	/
dk	5,60 – 6,00	6,60 – 7,00	7,50 – 8,00	8,50 – 9,00	9,50 – 10,00	11,50 – 12,00	13,9 – 15,1
D ₁	1,80 – 2,00	2,00 – 2,20	2,30 – 2,50	2,50 – 2,70	2,80 – 3,10	3,50 – 3,80	4,8 – 5,60
t	1,00 – 1,14	1,27 – 1,40	1,40 – 1,55	1,50 – 1,65	1,65 – 1,78	2,28 – 2,41	/
P	1,35	1,60	1,80	2,00	2,20	2,60	3,60
Ø 	2	2	2	2	3	3	4
TX	TX 10	TX 10	TX 20	TX 20	TX 25	TX 25	TX 40

FASTENERS | MARINE HARDWARE | FITTINGS | SOLAR

DIMENSIONS (MM)

Length l / Ø	3	3,5	4	4,5	5	6	8
12							
13							
16							
20							
25	18	18	18	18	18		
30	18	18	18	18	20		
35	24	24	24	24	24		
40	24	24	24	24	24	24	24
45		30	30	30	30	30	30
50		30	30	30	30	30	30
60			36	36	36	36	36
70			42	42	42	42	42
80				48	48	48	50
90				54	54	54	60
100				60	60	70	60
110					70	70	70
120					70	70	70
130						70	70
140						70	70
150						70	70
160						70	70
180						70	70
200						70	70
220						70	70
240						70	70

X = available ex stock

Further dimensions are available on request

FASTENERS | MARINE HARDWARE | FITTINGS | SOLAR